

TGA

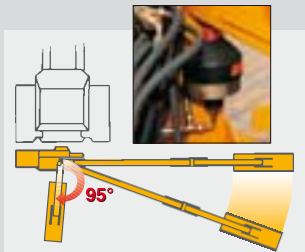
PROFIT "PARALLELOGRAM" HYDRAULIC REACH MOWERS



Floating head system



"OVERLAP" spiral rotor with two spiral rows



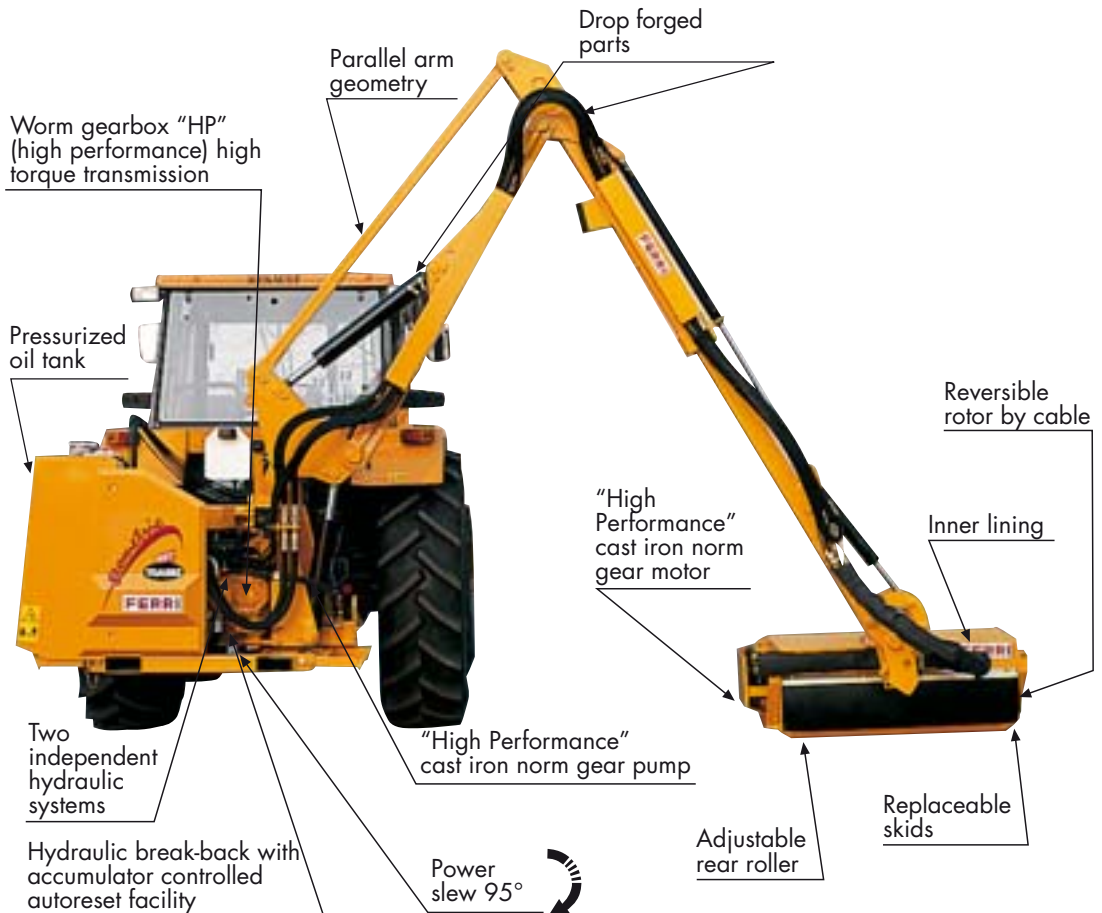
Hydraulic break-back with accumulator controlled autoreset facility



Drop forged parts



Oil cooler with thermostat



Cable controls



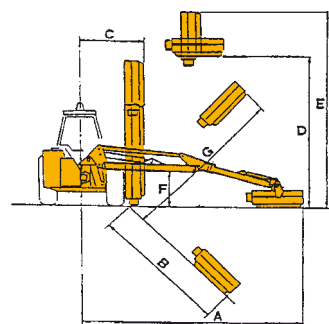
Electro-hydraulic proportional controls



HP Tractor	80	90	100	110	Min. tractor weight Kg	Min. tractor width m
TGA58Z Profit					3600	2,30

Working positions (m)

		TGA58Z Profit
A	m	5,8
B	m	4,1
C	m	1,6
D	m	4,9
E	m	6,1
F	m	1,5
G	m	5,9





PROFIT "PARALLELOGRAM" HYDRAULIC REACH MOWERS

Technical data

Model	Max horizontal reach*	Weight	Telescopic extension	Oil	Rotor	Pto	Flail head angle
	m	Kg	m	l	rpm	MAX rpm	
TGA58Z Profit	5,80	1.360	0,80	203	3.000	540	235°

* Reach measured from tractor centre line to head edge.

Machines with cable controls "Classic"

Model with telescopic extension

TGA58Z Profit Classic with TN120 flail head m 1,20

Machines with electro-hydraulic proportional controls "Comfort"

Model with telescopic extension

TGA58Z Profit Comfort with TN120 flail head m 1,20

Completing equipment to the base machine

WARNING: due to the high offset loads on the linkages it is **necessary** to fit two stabilizers

Stabilizers to the tractor (code TGA5020)

Fixed linkage to be adapted to the tractor top link area (code ATT/4)

Stabilizers for fixed linkage (code TGA5020)

Option

Lift float (code TGA5005)

Flail head

	TN120
Width of cut (m)	1,20
Rotor speed (rpm)	3000
Blade tip speed (m/sec)	60
Flail head angle	235°
Weight (kg)	285



TN120
Direct drive

TN120

Interchangeable on the same rotor		Interchangeable on the same rotor		
Multiuse and straight flails for grass, bushes, shrubs, sticks, wood Ø max 4 cm	T" Hammer blades for wood Ø max 5 cm	Articulated and straight flails for: grass, sticks, shrubs Ø max 2,5 cm	Hedge trimming blades for grass, hedges Ø max 1 cm	Bootie blades: for grass, hedges, bushes Ø max 2 cm
Code 0901003 Code 0901148	Code 0901141	Code 0901068 Code 0901153	Code 0901139	Code 0901138
n° 36 + 18	n° 18	n° 48 + 24	n° 24	n° 24
Standard				



Features:

- Flail head
- Totally independent hydraulic system
- FLOATING head system
- Drop forged parts used in the arms and flail head articulation
- Worm gearbox "HP" (high performance) high torque transmission
- Oil cooler with thermostat
- Telescopic extension m 0,80
- Reversible rotor by cable
- Front and rear abrasion resistant guard for flail head
- Oil and pto shaft



FERRI srl
Via Govoni, 30
44034 Tamara (FE) Italy
Tel. +39 0532 866866
Fax +39 0532 866851
info@ferrisrl.it - www.ferrisrl.it

Spare parts:
Tel: +39 0532 866866
Fax: +39 0532 867050
e-mail: parts@ferrisrl.it

After Sales Service
Tel: +39 0532 866991
Fax: +39 0532 866851
e-mail: service@ferrisrl.it