

# FERRI®

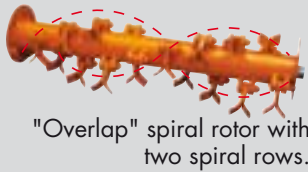
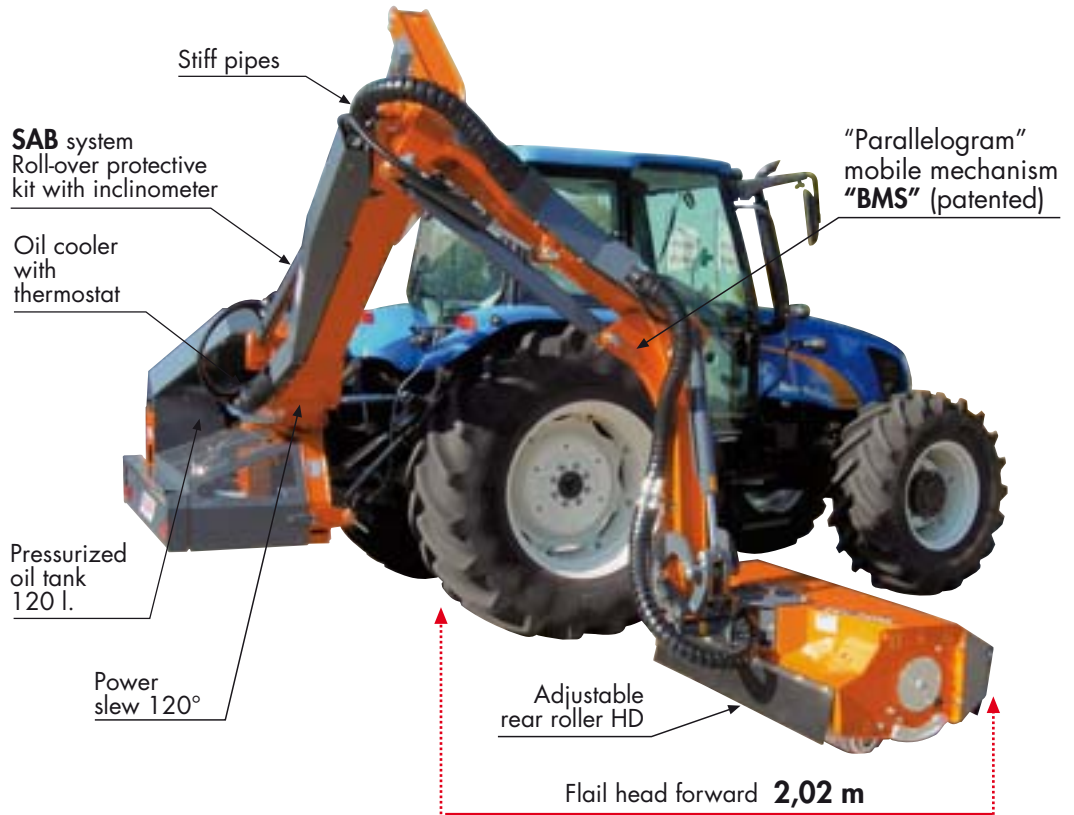
# THD

EAGLE

HP 63 available to the rotor (540 rpm)  
HP 77 available to the rotor (1000 rpm)



## HYDRAULIC REACH MOWERS "PARALLELOGRAM" MOBILE MECHANISM (PISTON MOTOR IN CLOSED CIRCUIT)



"Overlap" spiral rotor with two spiral rows.



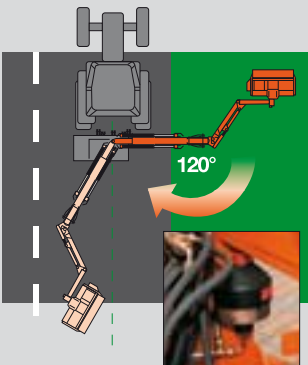
Side toothed belt drive



Flail head are built with an exceptionally strong frame



Piston motor in closed circuit



Hydraulic break-back with accumulator controlled autoreset facility (SRA)

comfort Plus



Electro-hydraulic proportional controls

advance Tronic



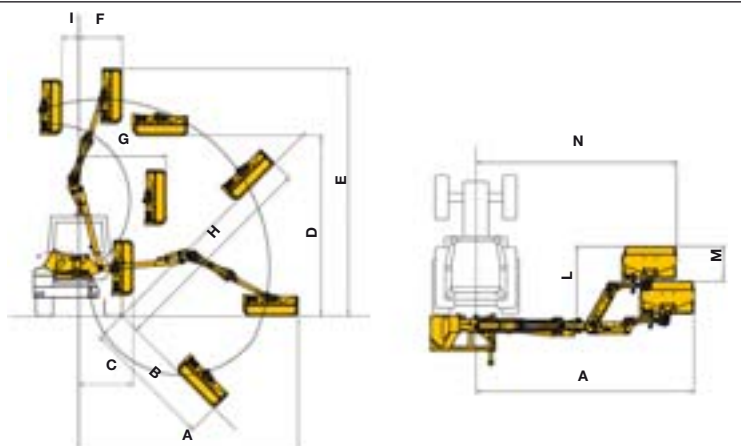
Electronic proportional controls

### Tractor

HP		100	110	120	Min. tractor weight Kg	Min. tractor width m
THD520 Eagle					4200	2,30

### Working positions (m)

		THD520 Eagle
A	m	5,59
B	m	3,32
C	m	1,38
D	m	4,60
E	m	6,31
F	m	1,09
G	m	2,22
H	m	5,51
I	m	0,43
L	m	2,02
M	m	0,89
N	m	5,15





## HYDRAULIC REACH MOWERS "PARALLELOGRAM" MOBILE MECHANISM (PISTON MOTOR IN CLOSED CIRCUIT)

### Technical data

Model	Min/Max horizontal reach*	Flail head forward	Weight	Oil	Three point linkage	Rotor	P.t.o.	Hydraulic rotor power	Flail head angle
	m	m	Kg	l	Cat.	rpm	MAX rpm	HP	
THD520 Eagle	5,15/5,59	2,02	1.520	120	II	3.000	540 1000	63 77	235°

\* Reach measured from tractor centre line to head edge.

### Machines with electro-hydraulic proportional controls "Comfort Plus"

#### Model

THD 520 Eagle Comfort Plus 540 rpm with TNSC125 flail head m 1,25

THD 520 Eagle Comfort Plus 1000 rpm with TNSC125 flail head m 1,25

### Machines with electronic proportional controls "Advance Tronic"

#### Model

THD 520 Eagle Advance Tronic 540 rpm with TNSC125 flail head m 1,25

THD 520 Eagle Advance Tronic 1000 rpm with TNSC125 flail head m 1,25

### Completing equipment to the base machine

**WARNING:** due to the high offset loads on the linkages it is **necessary** to fit two stabilizers

Stabilizers to the tractor (code TK8005/06)

Fixed linkage to be adapted to the tractor top link area (code ATT/4)

Stabilizers for fixed linkage (code TK8005/06)

### Option

EFS electronic floating system (code TSD5209)

Axle Brackets (code ARK200)

Axle Plates kit (x ARK200)

### Flail head

TNSC125

Width of cut (m)	1,25
Rotor speed (rpm)	3000
Blade tip speed (m/sec)	60
Flail head angle	235°
Weight (kg)	315



TNSC125  
Side-toothed  
belt drive

### Flails TNSC125

Interchangeable on the same rotor			Interchangeable on the same rotor			Specific rotor
Multise "Y" blades for: grass, shrubs, bushes, sticks, wood Ø 4 cm	"T" Hammer blades for: wood Ø max 5 cm	Unidirectional blades Ø max 6 cm	Articulated and straight flails for: grass, sticks, shrubs Ø max 2,5 cm	Hedge trimming blades for: grass, hedges Ø max 1 cm	Bootie blades for: grass, hedges, bushes Ø max 2 cm	Tourning blades for wood Ø max. 8 cm
n° 44 Code 0901181	n° 22 Code 0901141	n° 22 Code 0901187	n° 60 Code 0901068	n° 30 Code 0901139	n° 30 Code 0901138	n° 18 Code 0901201
Standard						



### Features:

- Flail head
- Flail head bracket
- Floating head
- Oil cooler with thermostat
- Power slew 120°
- Power slew security (PSS)
- Roll-over protective with inclinometer "SAB".
- Reversible rotor by cable (DSR)
- Side-toothed belt drive
- Rear roller HD with screwed edges
- Rotor balancing on side flanges.
- Stiff and protected pipes
- Piston motor in closed circuit (Sauer)
- Automatic return breakaway system (SRA)
- Bumpers with illumination system
- Front and rear abrasion resistant guard for flail head
- Oil and Pto shaft



FERRI srl  
Via Govoni, 30  
44034 Tamara (FE) Italy  
Tel. +39 0532 866866  
Fax +39 0532 866851  
info@ferrisrl.it - www.ferrisrl.it

Spare parts:  
Tel: +39 0532 866866  
Fax: +39 0532 867050  
e-mail: parts@ferrisrl.it

After Sales Service  
Tel: +39 0532 866991  
Fax: +39 0532 866851  
e-mail: service@ferrisrl.it