

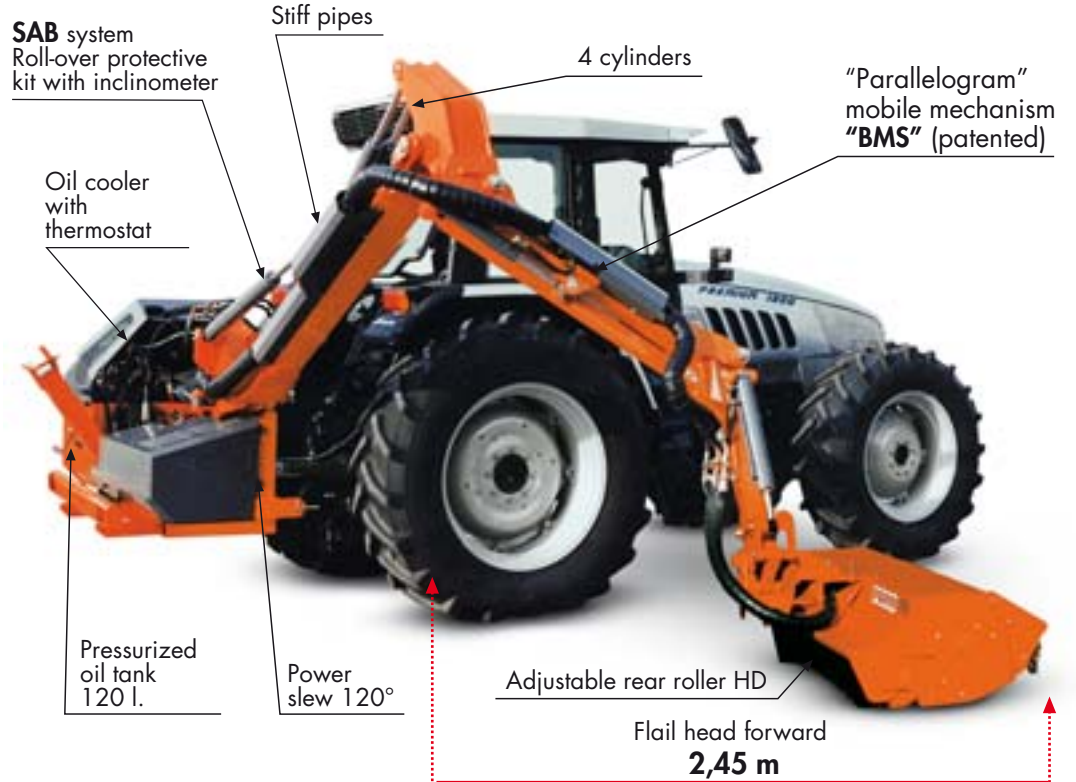
HP 84 available to the rotor  
HP 90 max to hydraulic motor

# FERRI®

# TKD

EAGLE

## HYDRAULIC REACH MOWERS "PARALLELOGRAM" (PISTON MOTOR IN CLOSED CIRCUIT)



"Overlap" spiral rotor with two spiral rows.



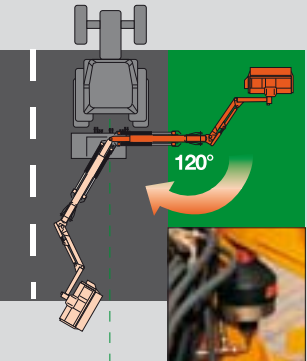
Side toothead belt drive



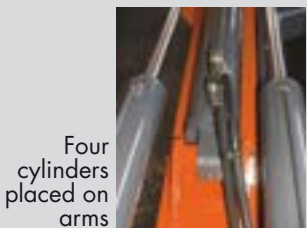
Flail head are built with an exceptionally strong frame



Piston motor in closed circuit



Hydraulic break-back with accumulator controlled autoreset facility (SRA)



Four cylinders placed on arms

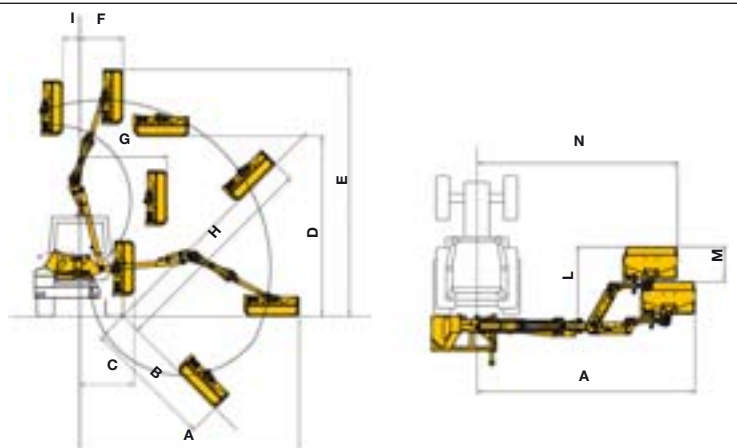


### Tractor

HP		110	120	130	Min. tractor weight Kg	Min. tractor width m
TKD560 Eagle					4600	2,40

### Working positions (m)

	TKD560 Eagle
A	m 6,10
B	m 3,77
C	m 1,44
D	m 4,86
E	m 6,81
F	m 1,11
G	m 1,77
H	m 6,02
I	m 0,55
L	m 2,45
M	m 1,09
N	m 5,59





## HYDRAULIC REACH MOWERS "PARALLELOGRAM" (PISTON MOTOR IN CLOSED CIRCUIT)

### Technical data

Model	Min/Max horizontal reach*	Forward shift	Weight	Oil	Three point linkage	Rotor	Pto	Hydraulic motor power	Flail head angle
	m	m	Kg	l		Rpm	MAX Rpm	HP	
TKD560 Eagle	5,59/6,10	2,45	1.755	120	Cat. II	3.000	1.000	90	235°

\* Reach measured from tractor centre line to head edge.



### Features:

- Flail head 1,25 m
- Floating head
- Flail head bracket
- Lift float (LFA electric)
- Oil cooler with thermostat
- Power slew 120°
- Hydraulic break-back with accumulator controlled autoreset facility (PSS)
- Roll-over protective with inclinometer "SAB".
- Reversible rotor electric control "DSR"
- Side toothed belt drive
- Adjustable rear roller HD with screwed edges
- Rotor fitted with balance plates at each end
- Stiff and protected pipes
- "Parallelogram" mobile mechanism "BMS". Patented
- Four cylinders placed on arms
- Piston motor in closed circuit (Sauer)
- Stands
- Automatic return breakaway system "SRA"
- Bumpers with illumination system
- Front and rear abrasion resistant guard for flail head
- Oil and pto shaft

### ■ Machines with electro-hydraulic proportional controls "Comfort Plus"

#### Model

TKD560 Eagle Comfort Plus with TNP125 flail head m 1,25

### ■ Machines with electronic proportional controls "Advance Tronic"

#### Model

TKD560 Eagle Advance Tronic with TNP125 flail head m 1,25

### ■ Completing equipment to the base machine

**WARNING:** due to the high offset loads on the linkages it is **necessary** to fit two stabilizers

Stabilizers to the tractor (code TK8005/06)

Fixed linkage to be adapted to the tractor top link area (code ATT/4)

Stabilizers for fixed linkage (code TK8005/06)

### ■ Option

EFS electronic floating system (code TSD5209)

Axle Brackets (code ARK200)

Axle Plates kit (x ARK200)

### ■ Flail head

TNP125

Width of cut (m)	1,25
Rotor speed (rpm)	3000
Blade tip speed (m/sec)	66
Flail head angle	235°
Weight (kg)	376



**TNP125**  
Side toothed belt drive

### Flails TNP125

Interchangeable on the same rotor		Interchangeable on the same rotor			Specific rotor
Multise "Y" straight blades for grass, bushes, shrubs, sticks, wood Ø max 4 cm	T" Hammer blades for wood Ø max 5 cm	Articulated and straight flails for: grass, sticks, shrubs Ø max 2,5 cm	Hedge trimming blades for grass, hedges Ø max 1 cm	Bootie blades: for grass, hedges, bushes Ø max 2,5 cm	Tourning blades for wood Ø max. 8 cm
Code 0901003 Code 0901148	Code 0901141	Code 0901068 Code 0901153	Code 0901139	Code 0901138	Code 0901201
n° 44 + 22	n° 22	n° 60 + 30	n° 30	n° 30	n° 18
<b>Standard</b>					



**FERRI srl**  
Via Govoni, 30  
44034 Tamara (FE) Italy  
Tel. +39 0532 866866  
Fax +39 0532 866851  
info@ferrisrl.it - www.ferrisrl.it

**Spare parts:**  
Tel: +39 0532 866866  
Fax: +39 0532 867050  
e-mail: parts@ferrisrl.it

**After Sales Service**  
Tel: +39 0532 866991  
Fax: +39 0532 866851  
e-mail: service@ferrisrl.it