

FERRI®

TV

ENERGY - POWER SIDEMOUNTED BOOM MOWER

	Energy	Power
HP available to the rotor	52	65
HP max to hydraulic motor	68	73



Features:

- Energy version.**
- Flail head TN120
 - Totally Independent hydraulic system (high performance gear pump and motor)
 - Direct drive

- Power version.**
- Flail head TNCR120
 - Totally independent hydraulic system with piston pump and motor in closed circuit
 - Toothed belt drive

Technical data

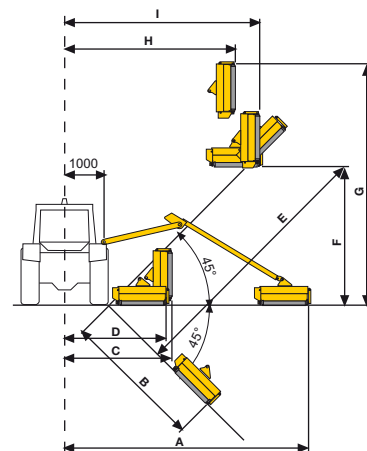
Model	Max horizontal reach* m	Telescopic extension m	Oil l	Rotor speed rpm	Pto Energy	Pto Power	Flail head angle
					rpm	rpm	
TV55	5,52	-	200	3.000	540	1000	190°
TV62	6,23	1,00	205	3.000	540	1000	190°

*Reach measured from tractor centre line to the flail head edge

HP Tractor		80	90	100	110	120	Min. tractor weight Kg	Min. tractor width m
TV55							3000	2,10
TV62							3200	2,30

Working positions (m)

	TV55	TV62 with telescopic extension m 1,00
A m	5,52	6,23
B m	2,62	3,55
C m	3,25	2,73
D m	2,47	2,47
E m	5,56	6,36
F m	3,32	3,81
G m	5,62	6,04
H m	3,79	4,39
I m	4,81	5,30



FERRI®

FERRI srl
Via Govoni, 30
44034 Tamara (FE) Italy
Tel. +39 0532 866866
Fax +39 0532 866851
info@ferrisrl.it - www.ferrisrl.it

Spare parts:
Tel: +39 0532 866866
Fax: +39 0532 867050
e-mail: parts@ferrisrl.it

After Sales Service
Tel: +39 0532 866991
Fax: +39 0532 866851
e-mail: service@ferrisrl.it