

Micro loader **C1**

**PATENTED
DESIGN**



Residential



Horticultural



Local Authorities



**Construction
& Landscape**

COMPACT LOADERS

AMENITY

Modern design
to exchange your tractor



C1 THE PARTNER FOR YOUR COMPACT TRACTOR

STREAMLINE DESIGN

Totally unique, the C1 is the first loader designed to have a continuous monocoque structure. The result is an innovative, strong, curved jib with a truly modern appearance.

FULLY INTEGRATED HYDRAULIC SYSTEM

All hydraulic pipes are integrated into the structure of the loader jib. This further enhances the streamline appearance of the loader, and protects the hydraulic circuit against accidental damage.

BUILT ON A WEALTH EXPERIENCE

For many years MX has designed and manufactured loaders for agricultural tractors. The C1 has been developed using this wealth of expertise and experience. It is the perfect mix between aesthetics and functionality.

100 % DESIGN



AN ALL-ROUND COMFORT

Due to its innovative design the C1 has a very low single cross beam; this offers unrivalled visibility when working.

EASY, QUICK LOADER HITCHING

The C1 can be hitched and unhitched from the tractor in seconds. With its locking pins in place the loader attaches to a strong chassis specifically designed for your tractor. You can work safely and confidently knowing the loader is fully secured on to the tractor.

EASY, QUICK IMPLEMENT HITCHING

Implements can be changed easily and quickly without the need of tools. Simply remove the locking pin and change the implement.

100 % COMFORT



EASY TO FILL BUCKET

With its impressive crowd and dump angles, the bucket can be easily filled and emptied no matter what the material.

EXCEPTIONAL LIFT PERFORMANCE

With a smooth continuous lift, the C1 has a capacity of 390 kg at ground level and 350 kg at full height (using MX BRC1 loose material bucket)*.

MULTI-AXIS CONTROL LEVER AS STANDARD

Operating the loader couldn't be easier using the multi-axis control lever. This purpose built control system allows you to operate the lift and crowd simultaneously (i.e. correct the bucket angle as you lift and lower).



100 % PERFORMANCE



* see technical specifications page 3.

OPTIONAL EQUIPMENT / IMPLEMENTS AND...

Loose material bucket BRC I (included in loader price)



- Width : 1.20 m
- Heaped capacity : 160 L
- Durable wear strips and cutting edge
- Suitable for : earth, gravel, sand, compost, loose and building materials, etc.

Manure fork BFC I



- Width : 1.10 m
- 6 forged tines (detachable)
- Suitable for : manure, hay, plant waste, etc.

...THE CHOICE OF AS MANY COLOURS AS THERE ARE TRACTORS !

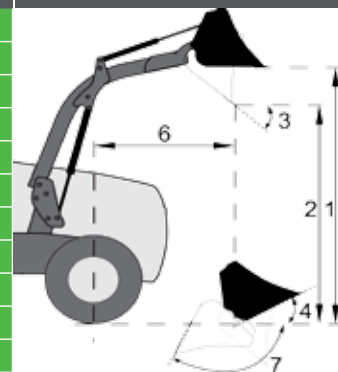
MX loaders are now available in the colour of your choice.



TECHNICAL DATA

MXC1

Tractor power	15 to 25 HP
Maximum height at implement pivot*	1,92 m
Maximum height under horizontal bucket (1)	1,80 m
Maximum height under dumped bucket (2) #	1,50 m
Digging depth #	0,10 m
Dumping angle at full height (3) #	40°
Dumping angle at ground level (7) #	125°
Crowd angle at ground level (4) #	30°
Forward reach available for discharge (6) #	900 mm
Lift force at implement pivot*	450 kg
Lift capacity at implement pivot over the entire lifting range*	420 kg
Payload** :	
> at ground level	390 kg
> at 1 m from ground	370 kg
> at full height	350 kg
Lifting time	3 s
Dumping time	1,5 s
Weight (with equipment)	135 kg



Data may vary according to the type of tractor equipped.
 Characteristics measured at 140 bars at a flow rate of 15 L/min.
 * Only payload lift capacity should be considered as working data. Values at ground level and at implement pivot are not working data.
 ** Payload lift capacity with a loose material bucket.
 # Values given with a loose material bucket.

NEW MICRO-LOADER C1

PRACTICAL AND INNOVATIVE

MODERN STREAMLINE LOOK

DURABLE AND EASY TO USE

THE PERFECT PARTNER FOR YOUR COMPACT TRACTOR...



@ Watch a video of the **C1** on www.m-x.eu

19, rue de Rennes

BP 83221

F-35690 Acigné

Tel : +33 (0)2 99 62 52 60

Fax : +33 (0)2 99 62 50 22

email : contact@m-x.eu

©Mailleux company copyright



08/10 EN - MX reserves the right to modify the specifications, fittings and prices of the models shown, without notice. This brochure is not a contractual document. Reproduction of this document is prohibited.